



(Photo shows wall mounted version)

Description : Gas Detection Control Unit for measurement of flammable and/or toxic gases as well as oxygen. Option for smoke detectors. Graphic display. 3 alarm levels per channel. 12 freely configurable relays. 4 analogue outputs

Features

- Number of Transmitters : 1 to 4 (4-20 mA/RS 485)
- Signal Evaluation : Microcontroller with A/D-Converter
- Alarm / Fault / Indication: :
 - illuminated graphic display (160 x 80) for indication of measured values, messages and alarms
 - 24 (3 x 4) red LED for alarm indication
 - LED for fault indication (yellow, channel: 4 x, control unit: 1 x), operation (4 x green) and Maintenance mode (1 x yellow)
- Alarm Levels : 3 freely adjustable alarm levels per channel (ascending, descending or window monitoring), latching function configurable
- Relays :
 - 12 potential free change-over contacts 230 V / 5 A (total rated current: max. 10 A), freely configurable to alarm 1 to 3 and fault
 - 2 potential free change-over contacts 230 V / 5 A for maintenance mode and fault of control unit
- Additional Features :
 - RS 232/RS485-interface for communication to periphery (PC or PLC-system)
 - Service function (Maintenance mode)
 - Horn reset
 - Alarm reactivation
 - 4 digital inputs, potential free
 - 4 analogue outputs 4-20 mA / 0-5 V / 0-10 V, potential free
- Operation Temperature : -10 °C to +40 °C

Mechanical Features

- Dimensions : 196 mm x 296 mm x appr. 120 mm (Height x Width x Depth)
- Installation : Control Panel Installation
 Option: separate box with connections clamps for remote installation in a cabinet (cable: 1.8 m)
- Material : Front lid: Polystyrene with frame seal
- Enclosure Rating : IP 54 (front lid)
- Storage Temperature : -25 °C to +60 °C

Electrical Features

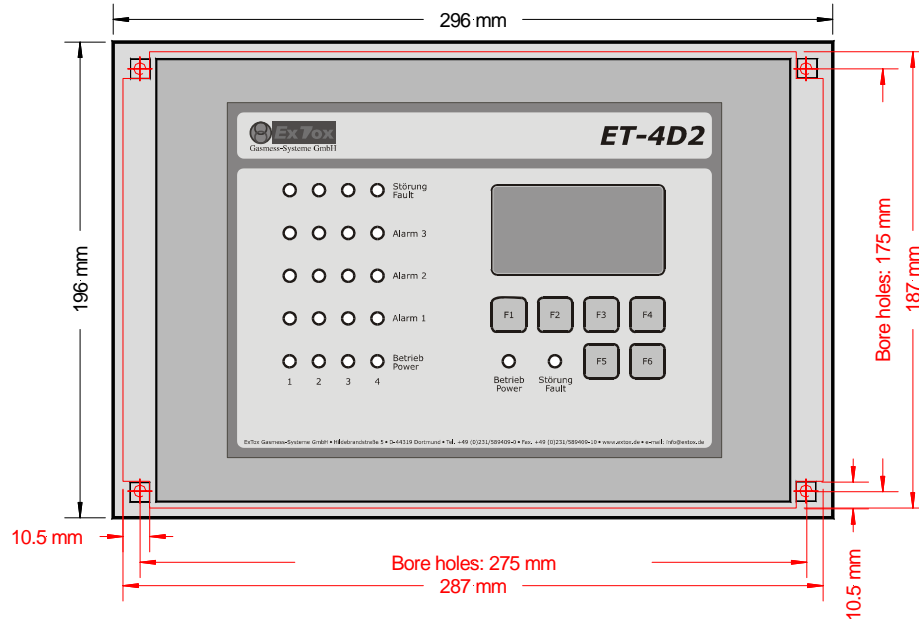
- Power Supply : 24 V DC
- Power Consumption : Max. 2 A / 45 W

Conformity

- EC-Directives : CE II (3)G
 94/9/EC (ATEX), 89/336/EEC (EMC), 73/23/EEC (LVD)
- Measuring Function : Designed according to
 - EN 61779-1 to EN 61779-4
 - EN 45544-1 to EN 45544-3
 - EN 50104

Gas Detection Control Unit ET-4DA2
for Control Panel installation, 24 V DC
 Article-No.: 317006

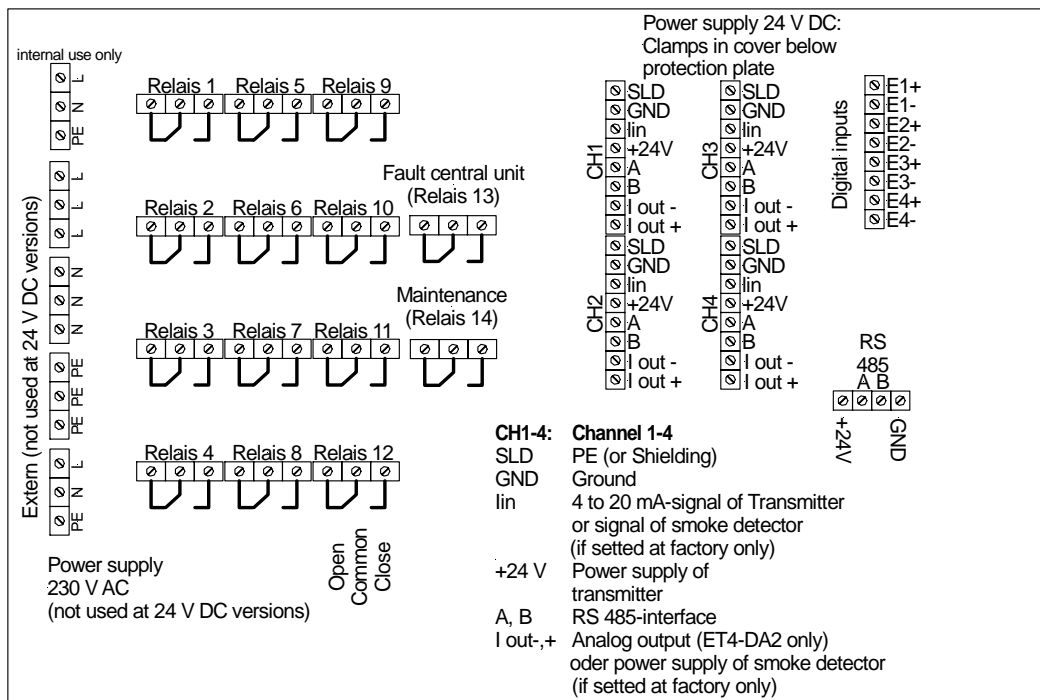
Drawing



Installation

- Cut out for the control panel and position of boreholes used for wall mounting are marked red in the drawing.
- Maximum diameter of mounting screws: d= 3 mm
- Box with connection clamps: 60 mm x 240 mm x 160 mm (H x W x D)

Connection scheme



This Data Sheet is at the same time a type specific supplement to the Instruction Manual *ExTox Gas Detection Control Unit Series ET-4D2*.

(Subject to technical changes)