



Description : Gas Detection Control Unit for measurement of flammable and/or toxic gases as well as oxygen. Option for smoke detectors. Graphic display. 3 alarm levels per channel. 12 freely configurable relays. 4 analogue outputs

**Features**

- Number of Transmitters : 1 to 4 (4-20 mA/RS 485)
- Signal Evaluation : Microcontroller with A/D-Converter
- Alarm / Fault / Indication: :
  - illuminated graphic display (160 x 80) for indication of measured values, messages and alarms
  - 24 (3 x 4) red LED for alarm indication
  - LED for fault indication (yellow, channel: 4 x, control unit: 1 x), operation (4 x green) and Maintenance mode (1 x yellow)
- Alarm Levels : 3 freely adjustable alarm levels per channel (ascending, descending or window monitoring), latching function configurable
- Relays :
  - 12 potential free change-over contacts 230 V / 5 A (total rated current: max. 10 A), freely configurable to alarm 1 to 3 and fault
  - 2 potential free change-over contacts 230 V / 5 A for maintenance mode and fault of control unit
- Additional Features :
  - RS 232/RS485-interface for communication to periphery (PC or PLC-system)
  - Service function (Maintenance mode)
  - Horn reset
  - Alarm reactivation
  - 4 digital inputs, potential free
  - 4 analogue outputs 4-20 mA / 0-5 V / 0-10 V, potential free
- Operation Temperature : -10 °C to +40 °C

**Mechanical Features**

- Dimensions : 194 mm x 240 mm x 120 mm (Height x Width x Depth)
- Installation : Wall mounted housing
- Material : Housing ABS
- Enclosure Rating : IP 54
- Storage Temperature : -25 °C to +60 °C

**Electrical Features**

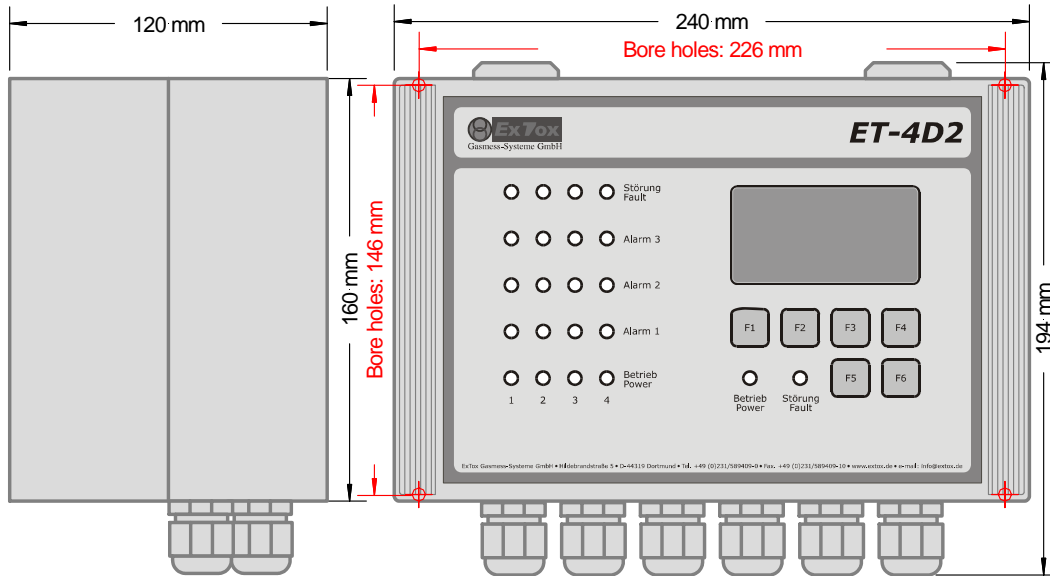
- Power Supply : 24 V DC
- Power Consumption : Max. 2 A / 45 W
- Cable Gland :
  - 1 x M20 x 1.5 (diameter of cable 7-13 mm)
  - 15 x M16 x 1.5 (diameter of cable 5-10 mm)

**Conformity**

- EC-Directives : CE II (3)G  
 94/9/EC (ATEX), 89/336/EEC (EMC), 73/23/EEC (LVD)
- Measuring Function : Designed according to
  - EN 61779-1 to EN 61779-4
  - EN 45544-1 to EN 45544-3
  - EN 50104

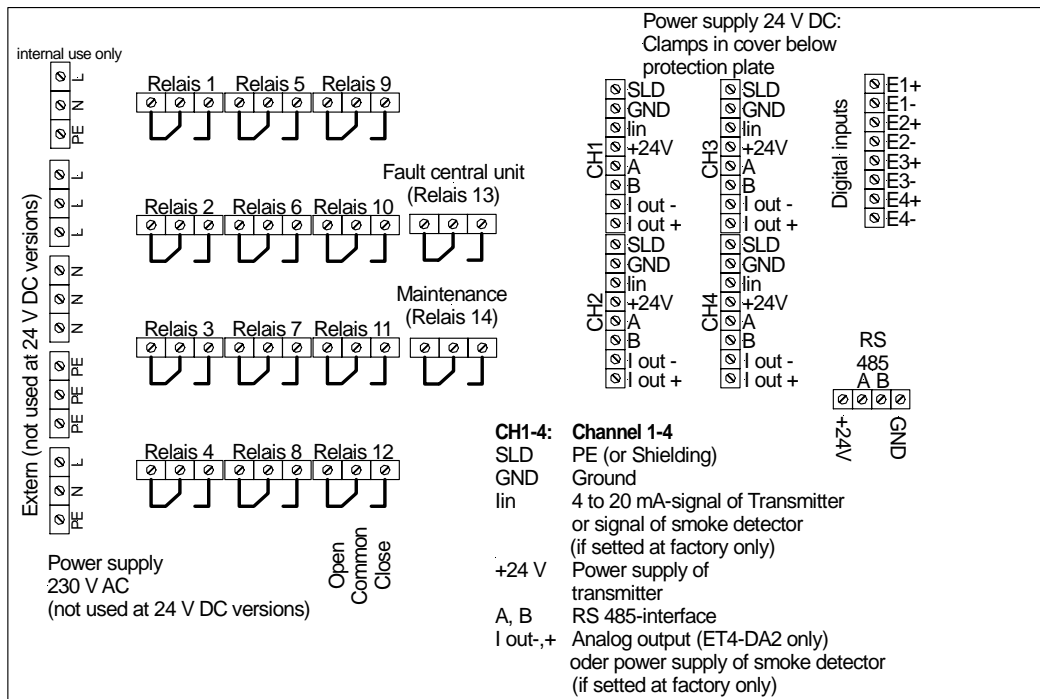
**Gas Detection Control Unit ET-4DA2**  
**Wall mounted housing, 24 V DC**  
 Article-No.: 317004

**Drawing**



- Installation** :
- Position of boreholes used for wall mounting is marked red in the drawing.
  - Maximum diameter of mounting screws: d= 4.5 mm
  - The housing can be opened for installation and maintenance purposes. The cover can now be opened and tucked up. Provide free space above the housing.

**Connection scheme**



This Data Sheet is at the same time a type specific supplement to the Instruction Manual *ExTox Gas Detection Control Unit Series ET-4D2*.

(Subject to technical changes)