



(Photo shows wall mounted version)

**Description** : Gas Detection Control Unit for measurement of flammable and/or toxic gases as well as oxygen. Option for smoke detectors. Graphic display. 3 alarm levels per channel. 12 freely configurable relays. 4 analogue outputs

### Features

**Number of Transmitters** : 1 to 4 (4-20 mA/RS 485)  
**Signal Evaluation** : Microcontroller with A/D-Converter  
**Alarm / Fault / Indication:** :
 

- illuminated graphic display (160 x 80) for indication of measured values, messages and alarms
- 24 (3 x 4) red LED for alarm indication
- LED for fault indication (yellow, channel: 4 x, control unit: 1 x), operation (4 x green) and Maintenance mode (1 x yellow)

**Alarm Levels** : 3 freely adjustable alarm levels per channel (ascending, descending or window monitoring), latching function configurable  
**Relays** :
 

- 12 potential free change-over contacts 230 V / 5 A (total rated current: max. 10 A), freely configurable to alarm 1 to 3 and fault
- 2 potential free change-over contacts 230 V / 5 A for maintenance mode and fault of control unit

**Additional Features** :
 

- RS 232/RS485-interface for communication to periphery (PC or PLC-system)
- Service function (Maintenance mode)
- Horn reset
- Alarm reactivation
- 4 digital inputs, potential free
- 4 analogue outputs 4-20 mA / 0-5 V / 0-10 V, potential free

**Operation Temperature** : -10 °C to +40 °C

### Mechanical Features

**Dimensions** : 267 mm (6 HE) x 427 mm (84 TE) x appr. 120 mm (Height x Width x Depth) / Special dimensions of front plate on request  
**Installation** : Installation in 19"-Rack (Rack available as accessory)  
 Option: separate box with connections clamps for remote installation in a cabinet (cable: 1.8 m)  
**Material** : Front lid: Polystyrene with frame seal  
**Enclosure Rating** : IP 54 (front lid)  
**Storage Temperature** : -25 °C to +60 °C

### Electrical Features

**Power Supply** : 230 V (85...264 V AC, 47...440 Hz or 120...340 V DC)  
**Power Consumption** : Max. 0.2 A / 45 W

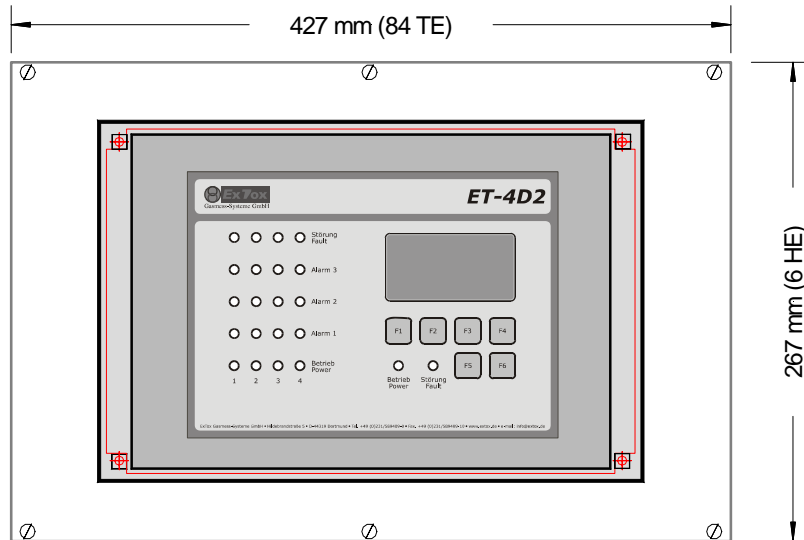
### Conformity

**EC-Directives** : CE II (3)G  
 94/9/EC (ATEX), 89/336/EEC (EMC), 73/23/EEC (LVD)  
**Measuring Function** : Designed according to
 

- EN 61779-1 to EN 61779-4
- EN 45544-1 to EN 45544-3
- EN 50104

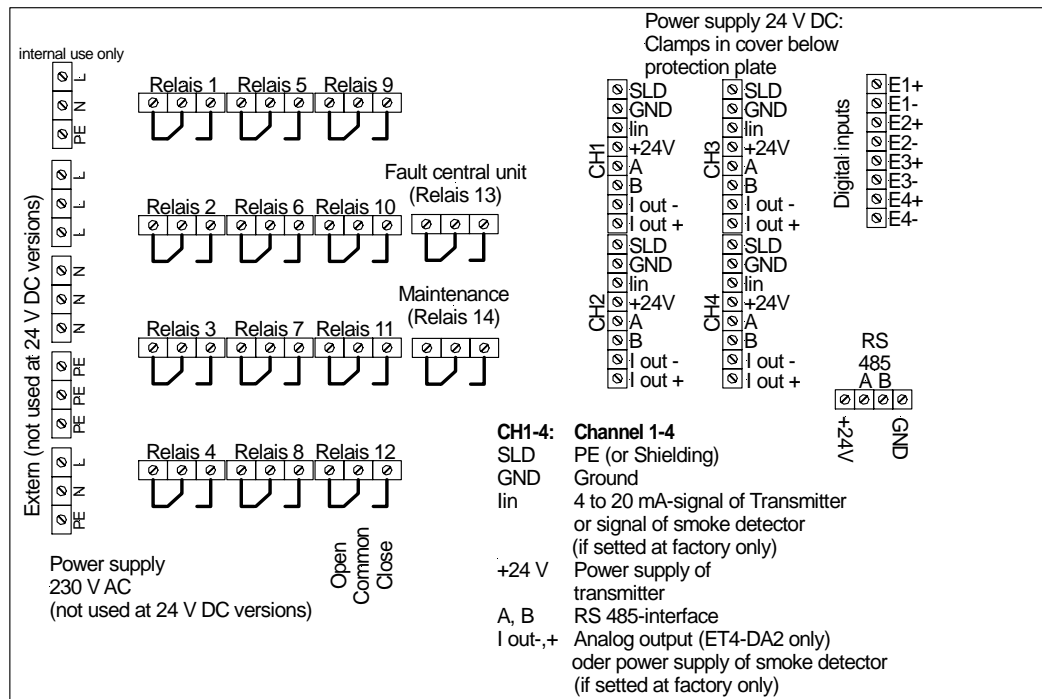
**Gas Detection Control Unit ET-4DA2**  
**for 19"-Rack, 230 V AC**  
 Article-No.: 317003

**Drawing**



- Installation** :
- Mounting by 6 screws in the rack
  - Box with connection clamps: 60 mm x 240 mm x 160 mm (H x W x D)

**Connection scheme**



This Data Sheet is at the same time a type specific supplement to the Instruction Manual *ExTox Gas Detection Control Unit Series ET-4D2*.

(Subject to technical changes)