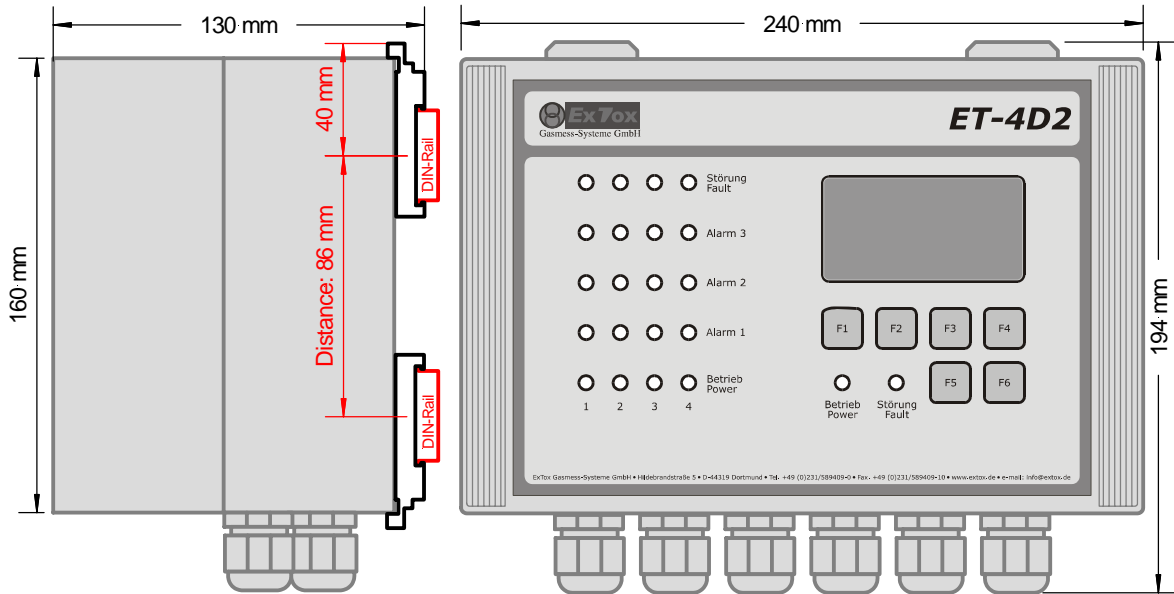




Description	:	Gas Detection Control Unit for measurement of flammable and/or toxic gases as well as oxygen. Option for smoke detectors. Graphic display. 3 alarm levels per channel. 12 freely programmable relays.
Features		
Number of Transmitters	:	1 to 4 (4-20 mA/RS 485)
Signal Evaluation	:	Microcontroller with A/D-Converter
Alarm / Fault / Indication:	:	<ul style="list-style-type: none"> ▪ illuminated graphic display (160 x 80) for indication of measured values, messages and alarms ▪ 24 (3 x 4) red LED for alarm indication ▪ LED for fault indication (yellow, channel: 4 x, control unit: 1 x), operation (4 x green) and Maintenance mode (1 x yellow)
Alarm Levels	:	3 freely adjustable alarm levels per channel (ascending, descending or window monitoring), latching function configurable
Relays	:	<ul style="list-style-type: none"> ▪ 12 potential free change-over contacts 230 V / 5 A (total rated current: max. 10 A), freely configurable to alarm 1 to 3 and fault ▪ 2 potential free change-over contacts 230 V / 5 A for maintenance mode and fault of control unit
Additional Features	:	<ul style="list-style-type: none"> ▪ RS 232/RS485-interface for communication to periphery (PC or PLC-system) ▪ Service function (Maintenance mode) ▪ Horn reset ▪ Alarm reactivation ▪ 4 digital inputs, potential free
Operation Temperature	:	-10 °C to +40 °C
Mechanical Features		
Dimensions	:	194 mm x 240 mm x 130 mm (Height x Width x Depth)
Installation	:	Snap-In installation on Standard DIN-Rails 35 mm x 7.5 mm
Material	:	Housing ABS
Enclosure Rating	:	IP 54
Storage Temperature	:	-25 °C to +60 °C
Electrical Features		
Power Supply	:	24 V DC
Power Consumption	:	Max. 2 A / 45 W
Cable Gland	:	<ul style="list-style-type: none"> ▪ 1 x M20 x 1.5 (diameter of cable 7-13 mm) ▪ 15 x M16 x 1.5 (diameter of cable 5-10 mm)
Conformity		
EC-Directives	:	CE II (3)G 94/9/EC (ATEX), 89/336/EEC (EMC), 73/23/EEC (LVD)
Measuring Function	:	Designed according to <ul style="list-style-type: none"> ▪ EN 61779-1 to EN 61779-4 ▪ EN 45544-1 to EN 45544-3 ▪ EN 50104

**Gas Detection Control Unit ET-4D2
for DIN-Rail installation, 24 V DC**
Article-No.: 315005

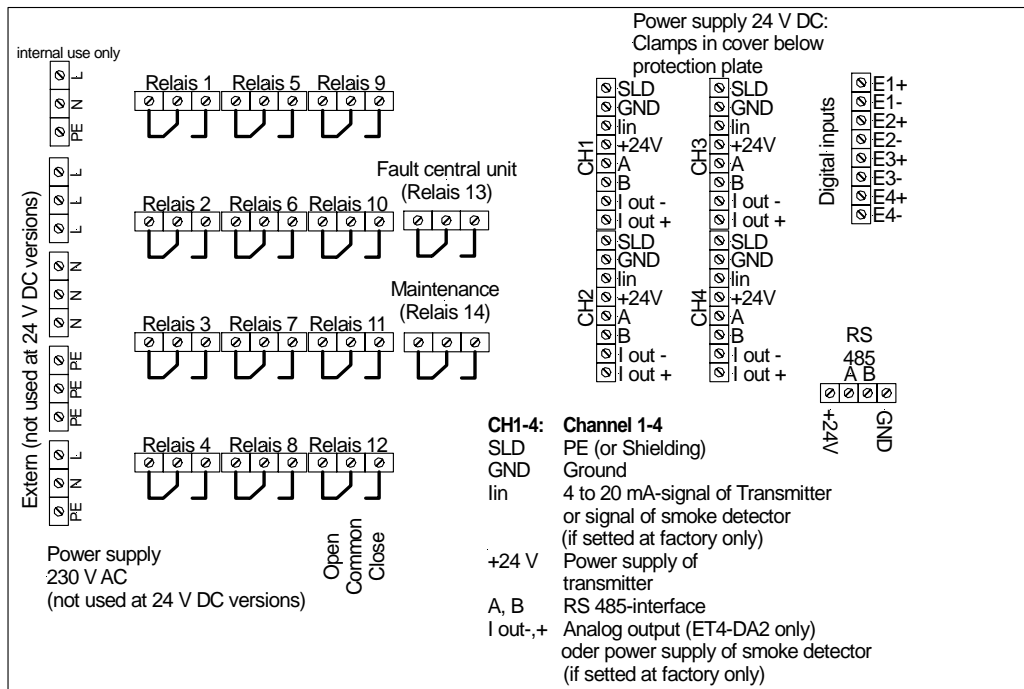
Drawing



Installation

- Adapters are mounted at the back plate to snap-in the housing on the DIN-rails. The connection can easily be loosened by a screw-driver. Pull up the nozzle of the adapter.
- Position of and distance between the DIN-rails is marked red in the drawing.
- The housing can be opened for installation and maintenance purposes. The cover can now be opened and tucked up. Provide free space above the housing.

Connection scheme



This Data Sheet is at the same time a type specific supplement to the Instruction Manual *ExTox Gas Detection Control Unit Series ET-4D2*.

(Subject to technical changes)