

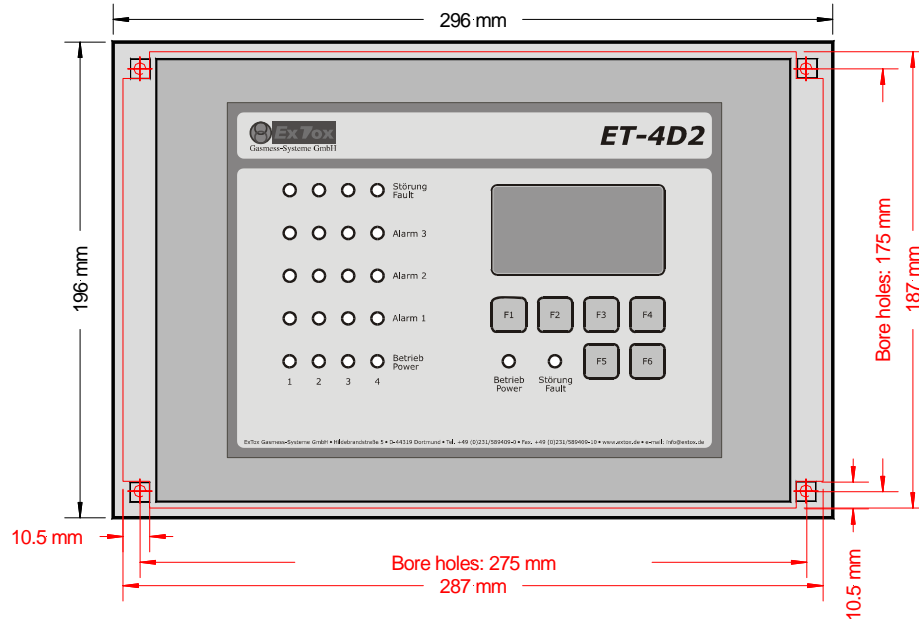


(Photo shows wall mounted version)

Description	:	Gas Detection Control Unit for measurement of flammable and/or toxic gases as well as oxygen. Option for smoke detectors. Graphic display. 3 alarm levels per channel. 12 freely programmable relays.
Features		
Number of Transmitters	:	1 to 4 (4-20 mA/RS 485)
Signal Evaluation	:	Microcontroller with A/D-Converter
Alarm / Fault / Indication:	:	<ul style="list-style-type: none"> ▪ illuminated graphic display (160 x 80) for indication of measured values, messages and alarms ▪ 24 (3 x 4) red LED for alarm indication ▪ LED for fault indication (yellow, channel: 4 x, control unit: 1 x), operation (4 x green) and Maintenance mode (1 x yellow)
Alarm Levels	:	3 freely adjustable alarm levels per channel (ascending, descending or window monitoring), latching function configurable
Relays	:	<ul style="list-style-type: none"> ▪ 12 potential free change-over contacts 230 V / 5 A (total rated current: max. 10 A), freely configurable to alarm 1 to 3 and fault ▪ 2 potential free change-over contacts 230 V / 5 A for maintenance mode and fault of control unit
Additional Features	:	<ul style="list-style-type: none"> ▪ RS 232/RS485-interface for communication to periphery (PC or PLC-system) ▪ Service function (Maintenance mode) ▪ Horn reset ▪ Alarm reactivation ▪ 4 digital inputs, potential free
Operation Temperature	:	-10 °C to +40 °C
Mechanical Features		
Dimensions	:	196 mm x 296 mm x appr. 120 mm (Height x Width x Depth)
Installation	:	Control Panel Installation, Option: separate box with connections clamps for remote installation in a cabinet (cable: 1.8 m)
Material	:	Front lid: Polystyrene with frame seal
Enclosure Rating	:	IP 54 (front lid)
Storage Temperature	:	-25 °C to +60 °C
Electrical Features		
Power Supply	:	230 V (85...264 V AC, 47...440 Hz or 120...340 V DC)
Power Consumption	:	Max. 0.2 A / 45 W
Conformity		
EC-Directives	:	CE II (3)G 94/9/EC (ATEX), 89/336/EEC (EMC), 73/23/EEC (LVD)
Measuring Function	:	Designed according to <ul style="list-style-type: none"> ▪ EN 61779-1 to EN 61779-4 ▪ EN 45544-1 to EN 45544-3 ▪ EN 50104

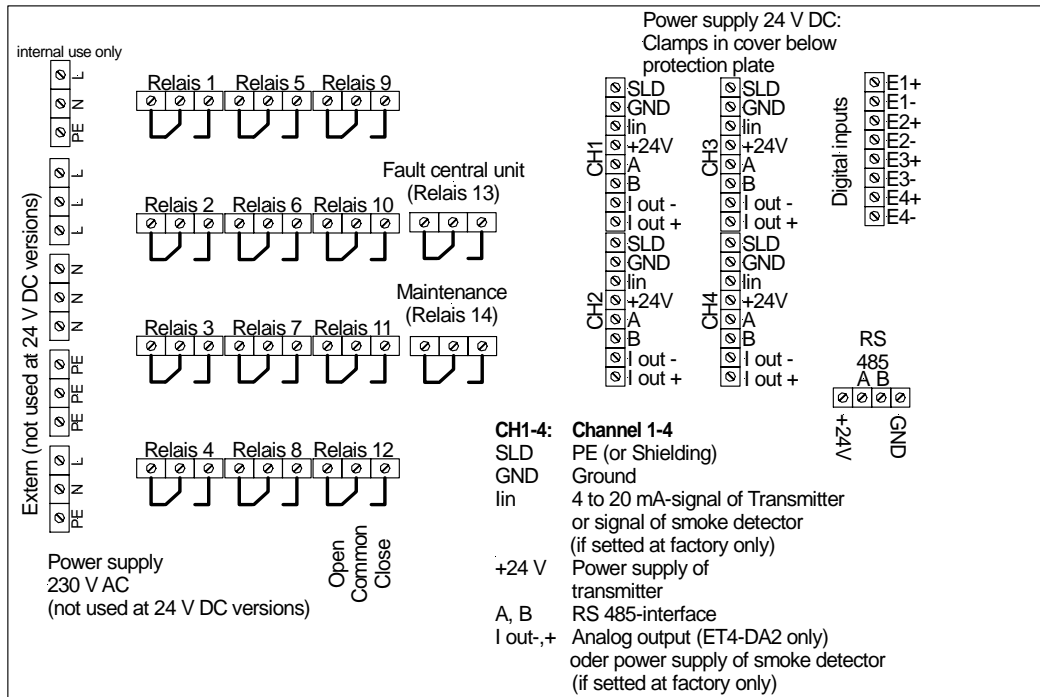
Gas Detection Control Unit ET-4D2
for Control Panel installation, 230 V AC
 Article-No.: 315002

Drawing



- Installation** :
- Cut out for the control panel and position of boreholes used for wall mounting are marked red in the drawing.
 - Maximum diameter of mounting screws: d= 3 mm
 - Box with connection clamps: 60 mm x 240 mm x 160 mm (H x W x D)

Connection scheme



This Data Sheet is at the same time a type specific supplement to the Instruction Manual *ExTox Gas Detection Control Unit Series ET-4D2*.

(Subject to technical changes)