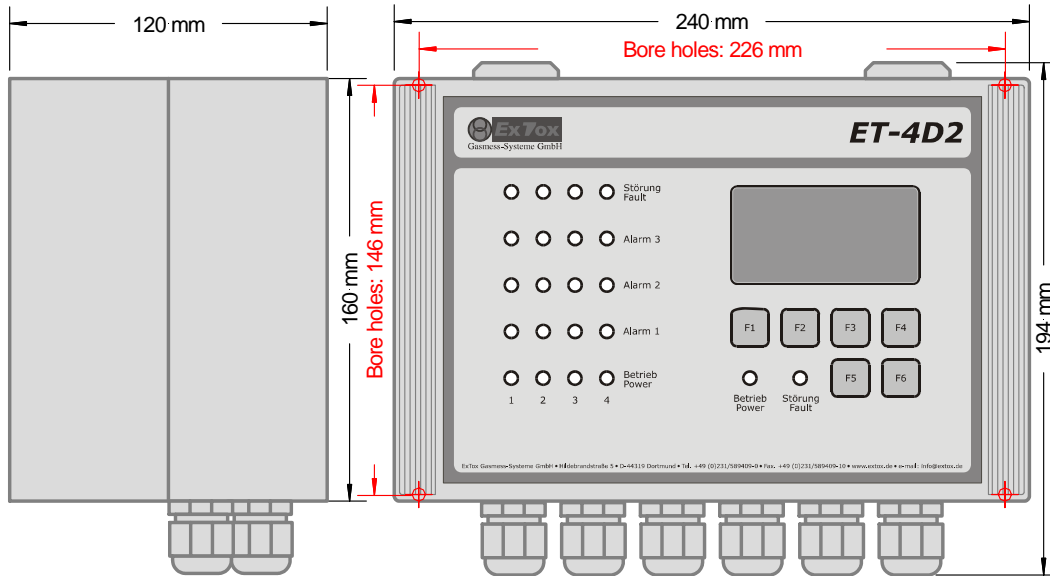




Description	:	Gas Detection Control Unit for measurement of flammable and/or toxic gases as well as oxygen. Option for smoke detectors. Graphic display. 3 alarm levels per channel. 12 freely programmable relays.
<b>Features</b>		
Number of Transmitters	:	1 to 4 (4-20 mA/RS 485)
Signal Evaluation	:	Microcontroller with A/D-Converter
Alarm / Fault / Indication:	:	<ul style="list-style-type: none"> <li>▪ illuminated graphic display (160 x 80) for indication of measured values, messages and alarms</li> <li>▪ 24 (3 x 4) red LED for alarm indication</li> <li>▪ LED for fault indication (yellow, channel: 4 x, control unit: 1 x), operation (4 x green) and Maintenance mode (1 x yellow)</li> </ul>
Alarm Levels	:	3 freely adjustable alarm levels per channel (ascending, descending or window monitoring), latching function configurable
Relays	:	<ul style="list-style-type: none"> <li>▪ 12 potential free change-over contacts 230 V / 5 A (total rated current: max. 10 A), freely configurable to alarm 1 to 3 and fault</li> <li>▪ 2 potential free change-over contacts 230 V / 5 A for maintenance mode and fault of control unit</li> </ul>
Additional Features	:	<ul style="list-style-type: none"> <li>▪ RS 232/RS485-interface for communication to periphery (PC or PLC-system)</li> <li>▪ Service function (Maintenance mode)</li> <li>▪ Horn reset</li> <li>▪ Alarm reactivation</li> <li>▪ 4 digital inputs, potential free</li> </ul>
Operation Temperature	:	-10 °C to +40 °C
<b>Mechanical Features</b>		
Dimensions	:	194 mm x 240 mm x 130 mm (Height x Width x Depth)
Installation	:	Snap-In installation on Standard DIN-Rails 35 mm x 7.5 mm
Material	:	Housing ABS
Enclosure Rating	:	IP 54
Storage Temperature	:	-25 °C to +60 °C
<b>Electrical Features</b>		
Power Supply	:	230 V (85...264 V AC, 47...440 Hz or 120...340 V DC)
Power Consumption	:	Max. 0.2 A / 45 W
Cable Gland	:	<ul style="list-style-type: none"> <li>▪ 1 x M20 x 1.5 (diameter of cable 7-13 mm)</li> <li>▪ 15 x M16 x 1.5 (diameter of cable 5-10 mm)</li> </ul>
<b>Conformity</b>		
EC-Directives	:	CE II (3)G 94/9/EC (ATEX), 89/336/EEC (EMC), 73/23/EEC (LVD)
Measuring Function	:	Designed according to <ul style="list-style-type: none"> <li>▪ EN 61779-1 to EN 61779-4</li> <li>▪ EN 45544-1 to EN 45544-3</li> <li>▪ EN 50104</li> </ul>

**Gas Detection Control Unit ET-4D2  
for DIN-Rail installation, 230 V AC**  
Article-No.: 315001

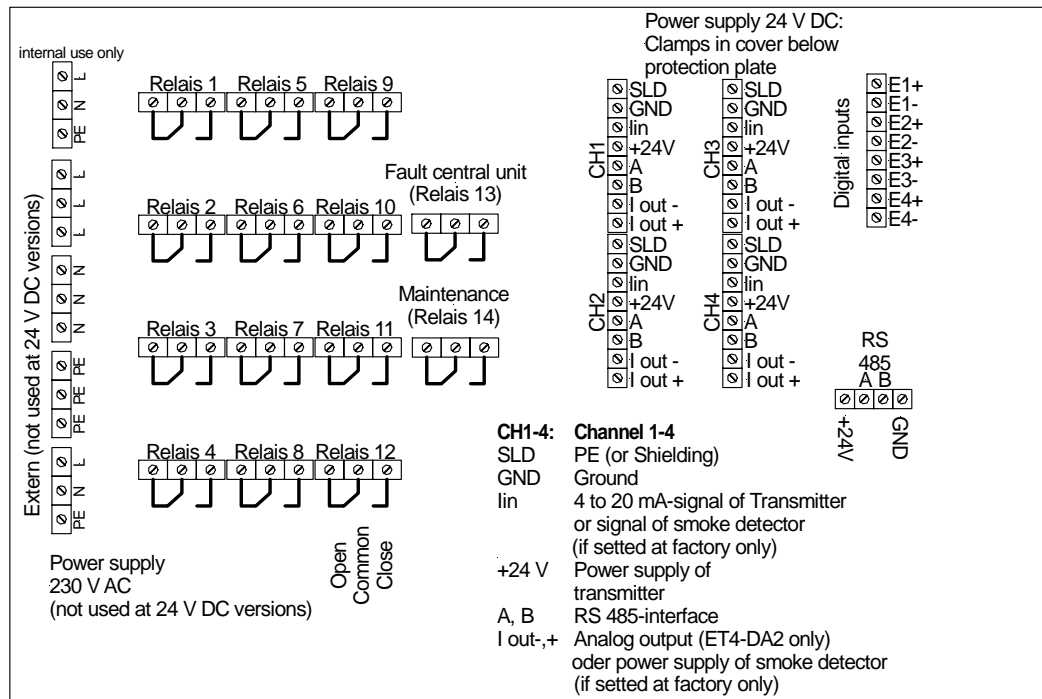
**Drawing**



**Installation**

- : • Adapters are mounted at the back plate to snap-in the housing on the DIN-rails. The connection can easily be loosened by a screw-driver. Pull up the nozzle of the adapter.
- Position of and distance between the DIN-rails is marked red in the drawing.
- The housing can be opened for installation and maintenance purposes. The cover can now be opened and tucked up. Provide free space above the housing.

**Connection scheme**



This Data Sheet is at the same time a type specific supplement to the Instruction Manual *ExTox Gas Detection Control Unit Series ET-4D2*.

(Subject to technical changes)