



(Photo shows wall mounted version)

**Description** : Gas Detection Control Unit for detection and measurement of flammable and / or toxic gases as well as oxygen. Graphic display. 2 alarm levels. 2 alarm, horn and fault relays. Analogue output 4-20 mA.

#### Features

**Number of Transmitters** : 1  
**Signal Processing** : Microcontroller with A/D-Converter  
**Alarm / Fault / Indication:** :
 

- illuminated 4-lined display for indication of measured, messages and alarms, bar graph indication of concentration
- 1 green operation LED
- 2 red alarm LEDs (alarm levels 1 and 2)
- 1 yellow LED for indication of device and transmitter fault

**Alarm Levels** : 2 freely adjustable alarm levels per channel, latching configurable  
**Relays** : 4 change-over contacts 230 V / 200 mA for alarm 1 and 2, fault, horn  
**Additional Functions** :
 

- completely configurable at the control unit via 4 keys
- RS 232/RS 485 interface for communication with external Periphery (PC or PLT-System)
- Alarm locking in maintenance mode
- Horn alarm separately reset able
- Analogue output 4-20 mA

**Operation Temperature** : -10 °C to +40 °C

#### Mechanical Features

**Dimensions** : 267 mm (6 HE) x 427 mm (84 TE) x 120 mm (Height x Width x Depth)  
 Special dimensions of front plate on request  
**Installation** : Installation in 19"-Rack (Rack available as accessory)  
 Option: separate box with connections clamps for remote installation in a cabinet  
**Material** : Front lid: polystyrene with front seal  
**Enclosure Rating** : IP 54 (front lid)  
**Storage Temperature** : -25 °C to +60 °C

#### Electrical Features

**Power Supply** : 230 V AC  
**Power Consumption** : Max. 0.08 A / 18 W

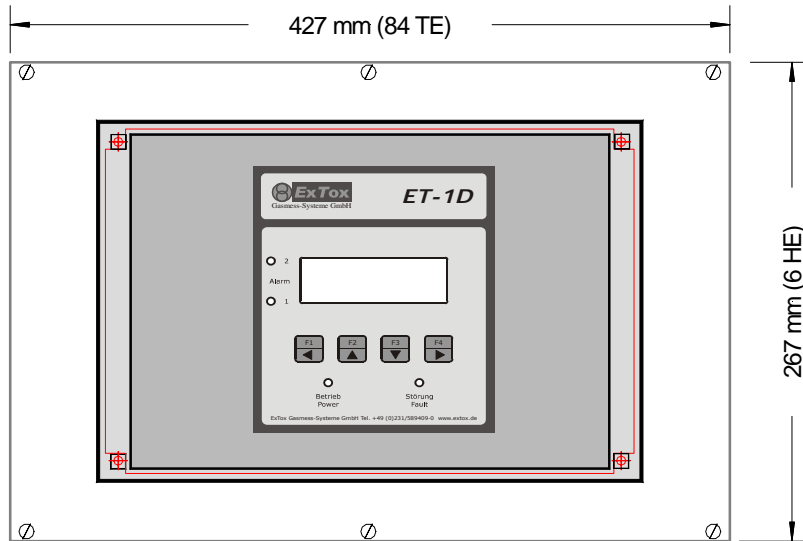
#### Conformity

**EC-Directives** : CE Ⓜ II (3)G  
 94/9/EC (ATEX), 89/336/EEC (EMC), 73/23/EEC (LVD)  
**Measuring Function** : Designed according to
 

- EN 61779-1 to EN 61779-4
- EN 45544-1 to EN 45544-3
- EN 50104

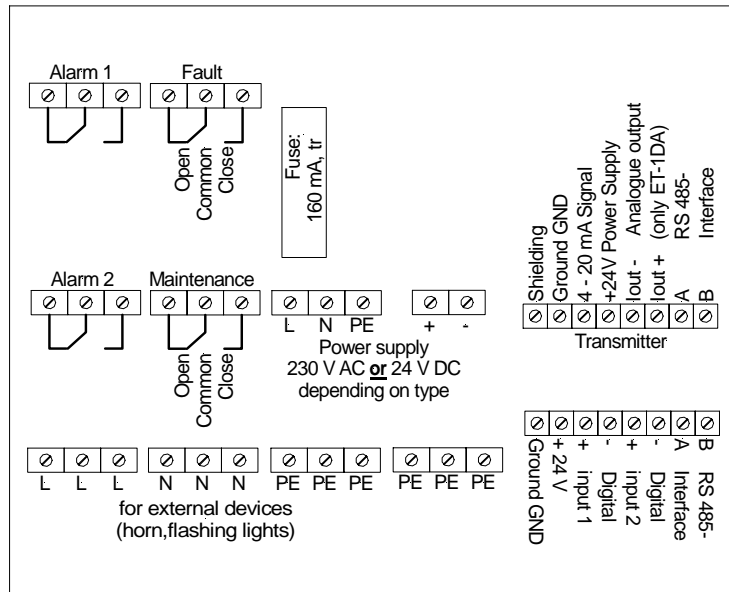
**Gas Detection Control Unit ET-1DA**  
**for 19"-Control Panel, 230 V AC**  
 Article-No.: 305003

**Drawing**



**Installation**  
**Connection Scheme**

: Mounting by 6 screws in the rack



This Data Sheet is at the same time a type specific supplement to the Instruction Manual *ExTox Gas Detection Control Unit Series ET-1D*.

(Subject to technical changes)