



Description : Gas Detection Control Unit for detection and measurement of flammable and / or toxic gases as well as oxygen. Graphic display. 2 alarm levels. 2 alarm, horn and fault relays.

Features

Number of Transmitters : 1
 Signal Processing : Microcontroller with A/D-Converter
 Alarm / Fault / Indication: :

- illuminated 4-lined display for indication of measured, messages and alarms, bar graph indication of concentration
- 1 green operation LED
- 2 red alarm LEDs (alarm levels 1 and 2)
- 1 yellow LED for indication of device and transmitter fault

 Alarm Levels : 2 freely adjustable alarm levels per channel, latching configurable
 Relays : 4 change-over contacts 230 V / 200 mA for alarm 1 and 2, fault, horn
 Additional Functions :

- completely configurable at the control unit via 4 keys
- RS 232/RS 485 interface for communication with external Periphery (PC or PLT-System)
- Alarm locking in maintenance mode
- Horn alarm separately reset able

 Operation Temperature : -10 °C to +40 °C

Mechanical Features

Dimensions : 194 mm x 160 mm x 90 mm (Height x Width x Depth)
 Installation : Wall mounted housing
 Material : Housing ABS
 Enclosure Rating : IP 54
 Storage Temperature : -25 °C to +60 °C

Electrical Features

Power Supply : 24 V DC
 Power Consumption : Max. 0.8 A / 20 W
 Cable Gland :

- 1 x M20 x 1.5 (diameter of cable 7-13 mm)
- 5 x M16 x 1.5 (diameter of cable 5-10 mm)

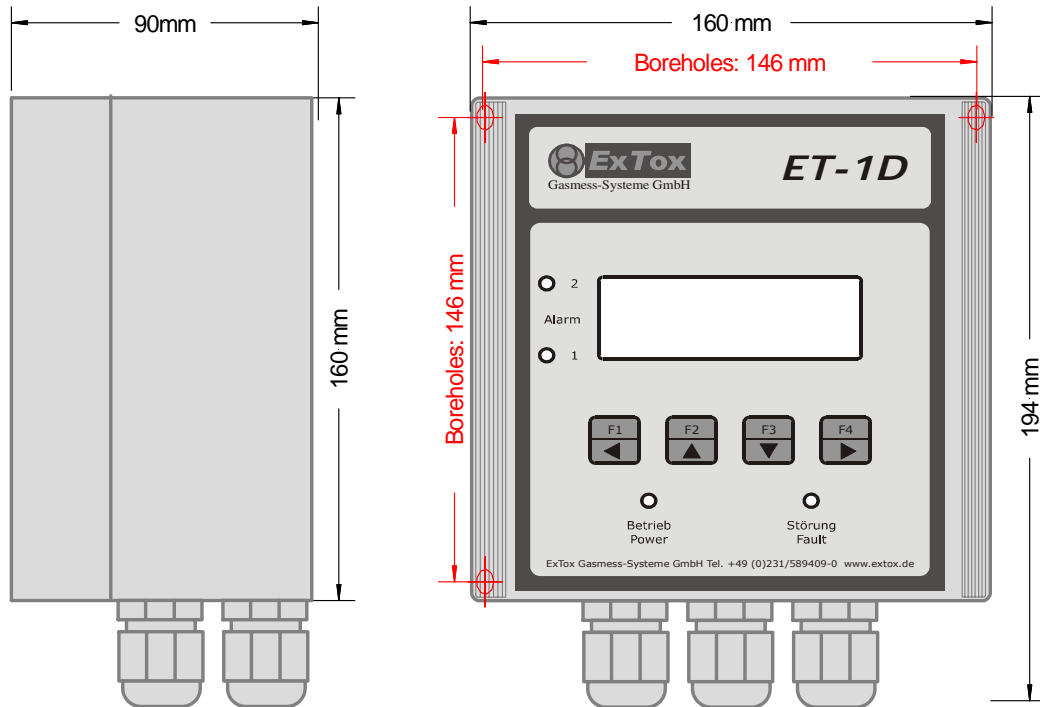
Conformity

EC-Directives : CE II (3G)
 94/9/EC (ATEX), 89/336/EEC (EMC), 73/23/EEC (LVD)
 Measuring Function : Designed according to

- EN 61779-1 to EN 61779-4
- EN 45544-1 to EN 45544-3
- EN 50104

**Gas Detection Control Unit ET-1D
in Wall Mounted Housing, 24 V DC**
Article-No.: 303004

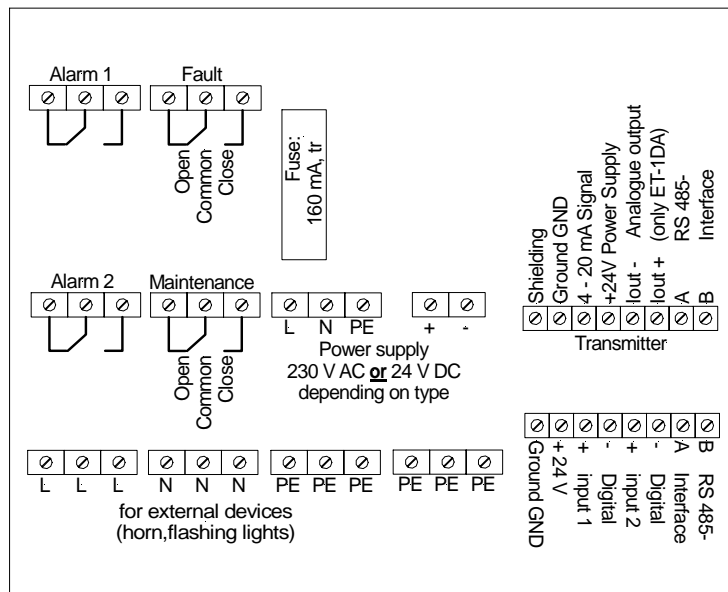
Drawing



Installation

- : • Position of boreholes used for wall mounting is marked red in the drawing.
- Maximum diameter of mounting screws: $d = 4.5 \text{ mm}$
- The housing can be opened for installation and maintenance purposes. The cover can now be opened and tucked up. Provide free space above the housing.

Connection Scheme



This Data Sheet is at the same time a type specific supplement to the Instruction Manual *ExTox Gas Detection Control Unit Series ET-1D*.

(Subject to technical changes)